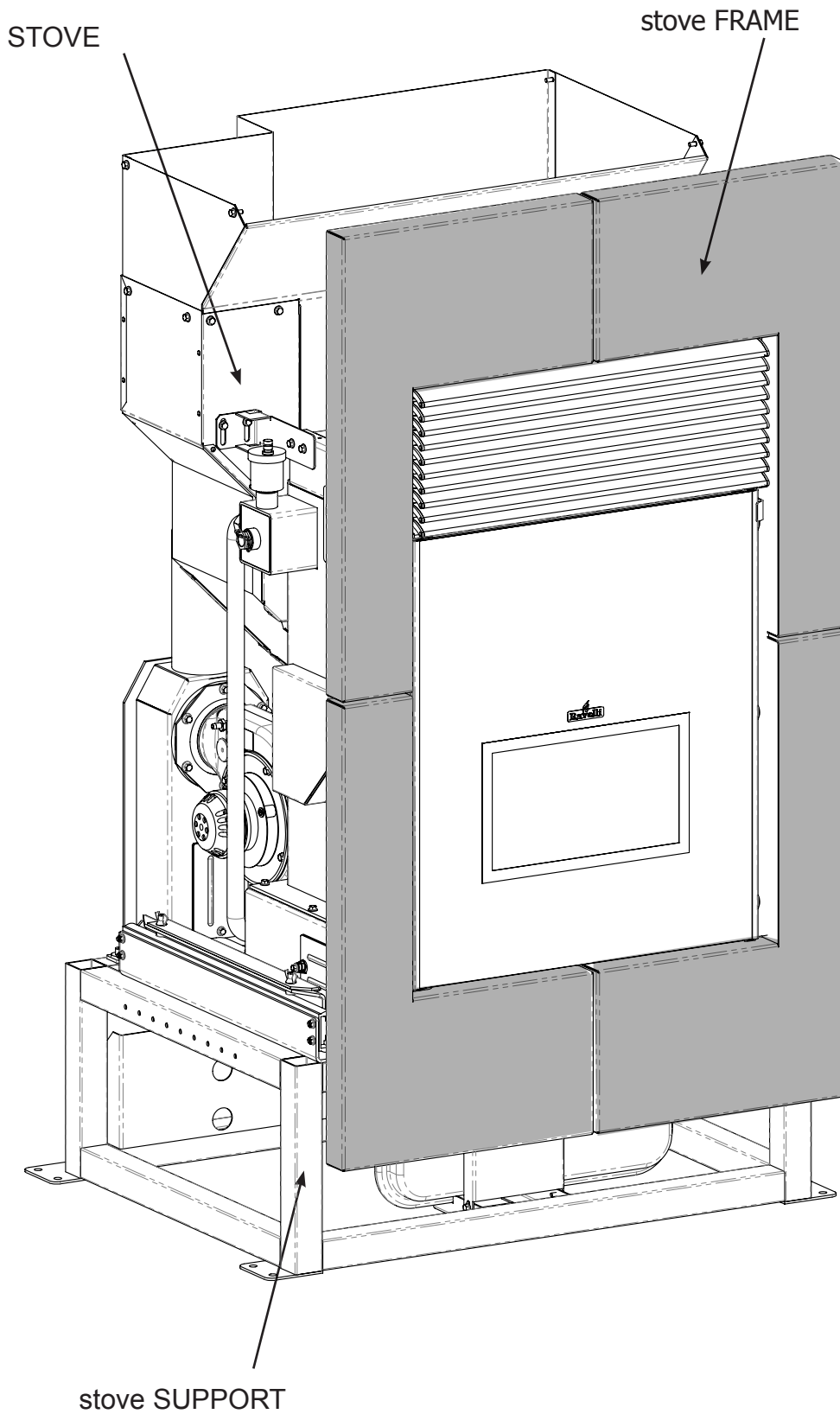


Brochure for HRB160 model



Stove, support and frame:



Maintenance and cleaning:

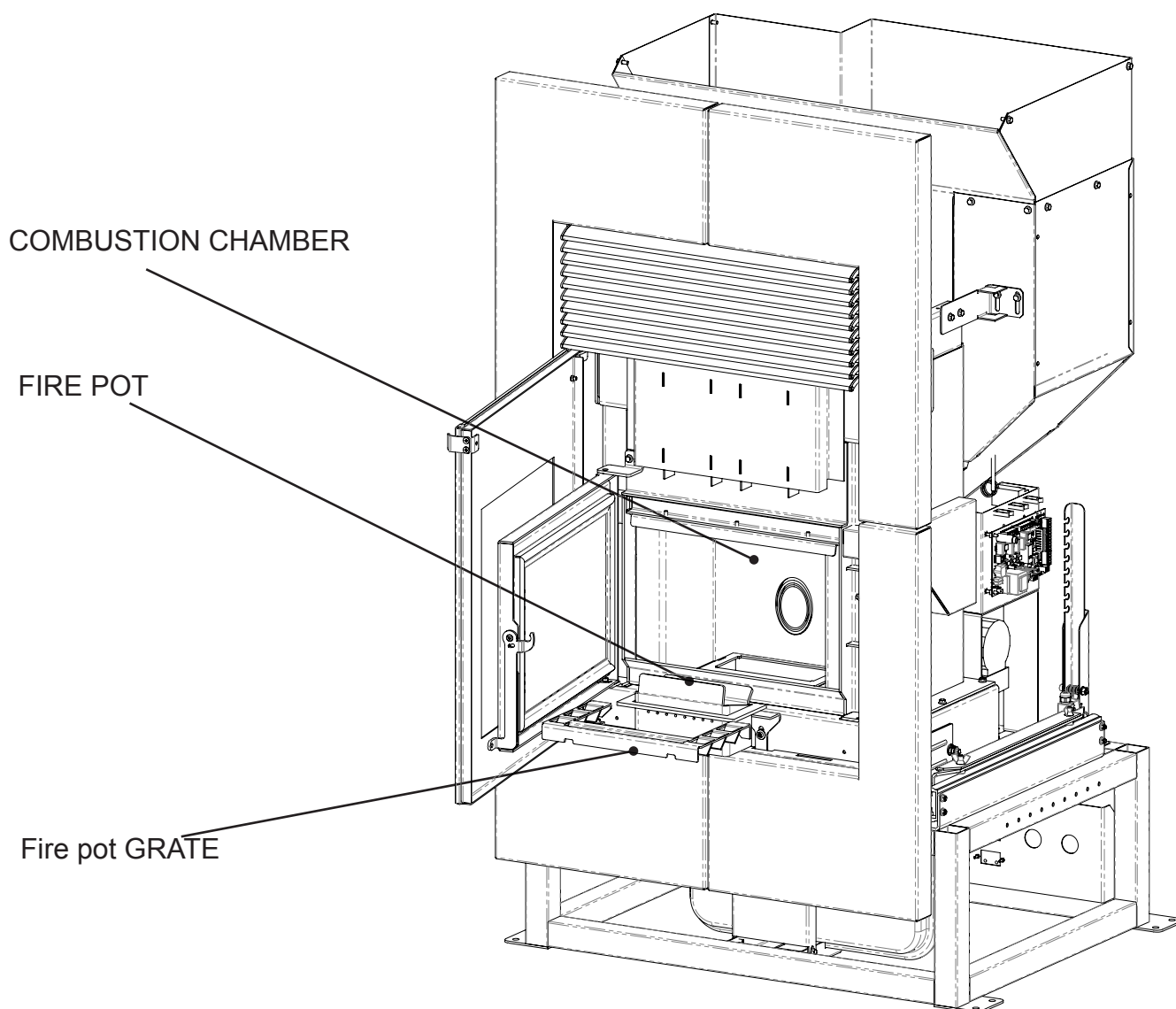
Before carrying out any maintenance operation take the following precautions:

- Make sure that the general power switch has been disconnected.
- Make sure that all the parts of the stove are cold.
- Make sure that the ashes have cooled completely.
- Always use appropriate tools for maintenance.
- When you have finished maintenance reinstall all the safety guards before using the stove again.

The stove requires little maintenance if a good quality pellet is used. Therefore it is difficult to establish how often the stove needs to be cleaned. The quality of the pellet and the combustion adjustment are crucial.

Cleaning the combustion chamber:

The stove requires simple but frequent cleaning to guarantee an efficient yield and correct functioning. Therefore, clean the combustion chamber every day using a drum-type vacuum cleaner making sure that the ashes have gone out completely.

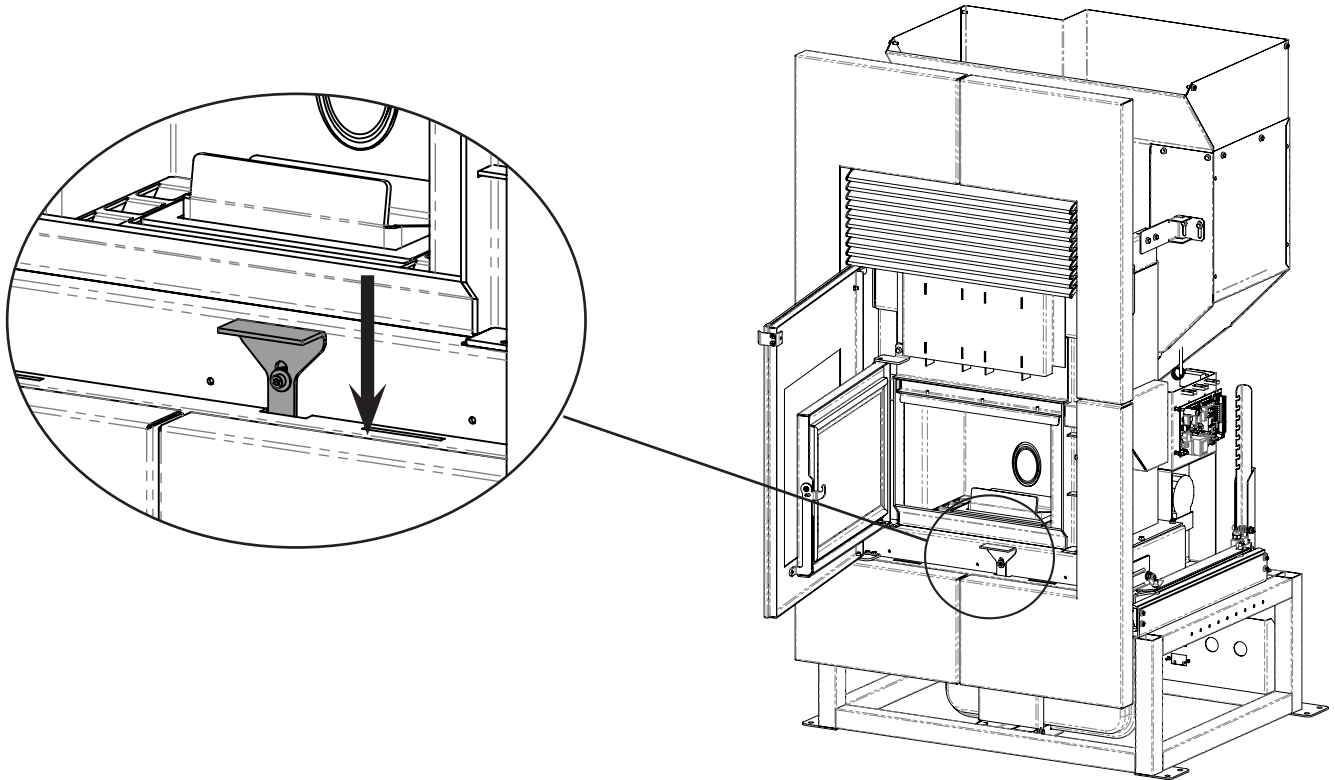


Cleaning the fire pot:

Clean the fire pot as described in the dedicated chapter of the instruction manual. Only a clean and tidy fire pot can guarantee that the pellet stove will run without any problems. Deposits may form while it is running and these must be eliminated immediately. Correct, daily cleaning will allow the stove to burn properly and to give a good yield, avoiding problems that in the long term could require the intervention of a technician to repair the stove.

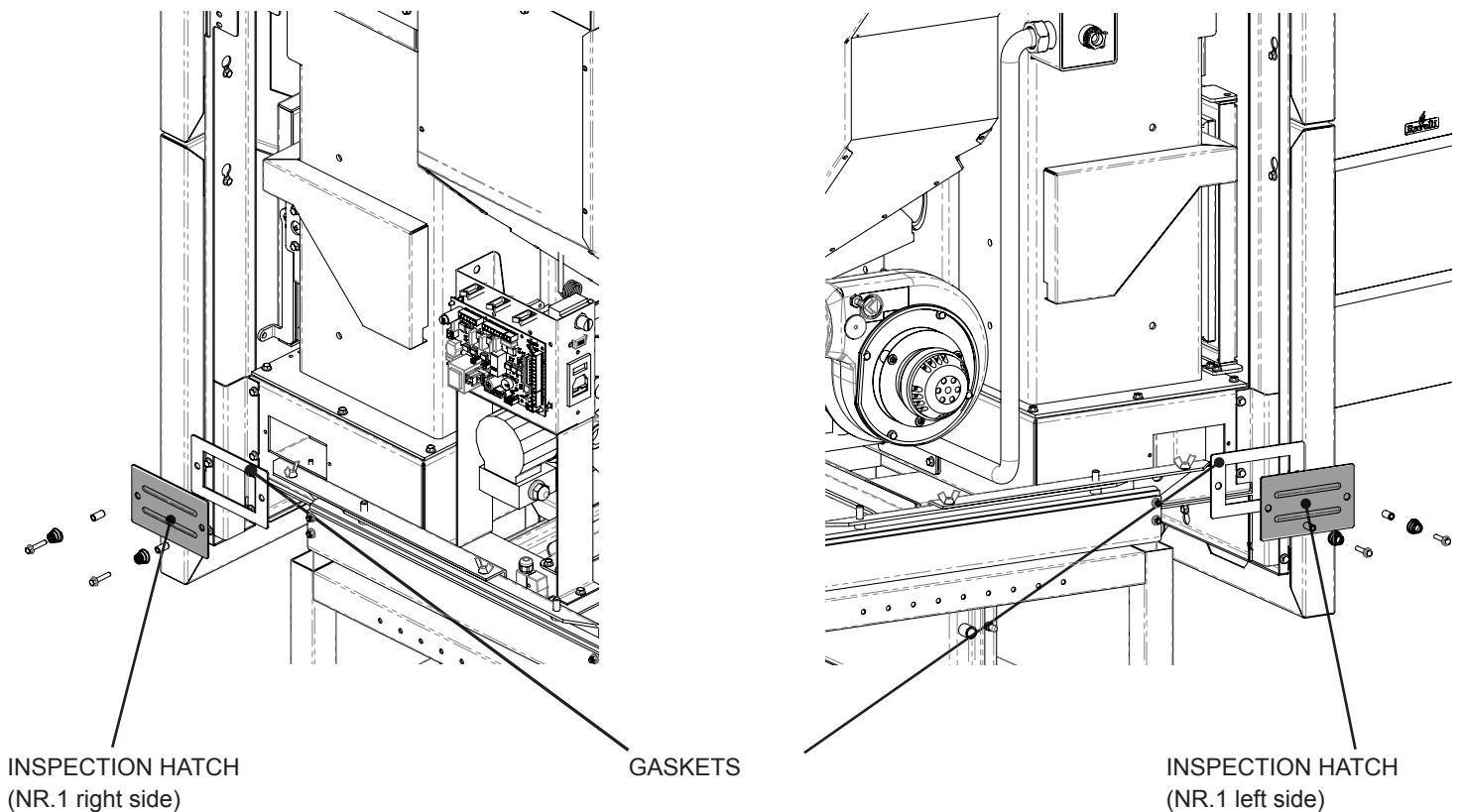
How to pull out the insert:

In order to pull the stove out push down the unhooking lever (as shown below in the drawing). In order to pull the stove back into the fireplace, keep the lever pushed down until the stove completely fits in the fireplace.

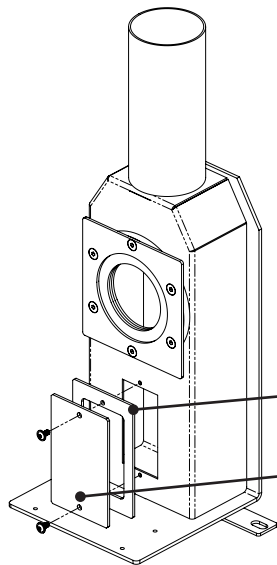


Access and cleaning of inspection hatches:

In order to access the inspection hatches, you need to first pull the stove out.



Cleaning of "T" discharge:

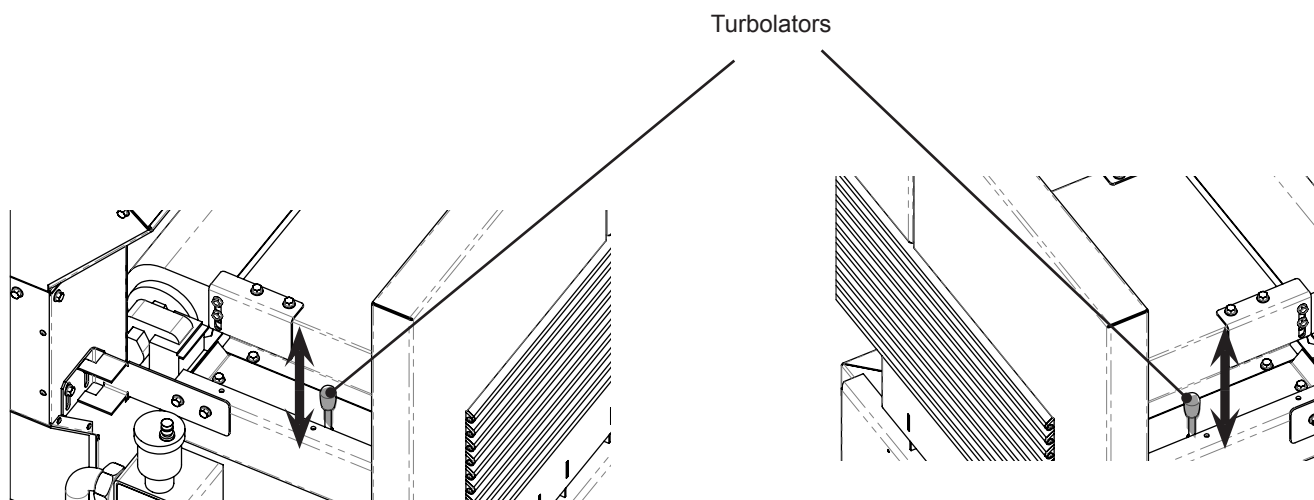


Remove the two "M5" screws that fix the inspection door and the silicone seal to the discharge in order to access it and carry out cleaning operations.

GASKET
INSPECTION HATCH

Cleaning of the tube bundle:

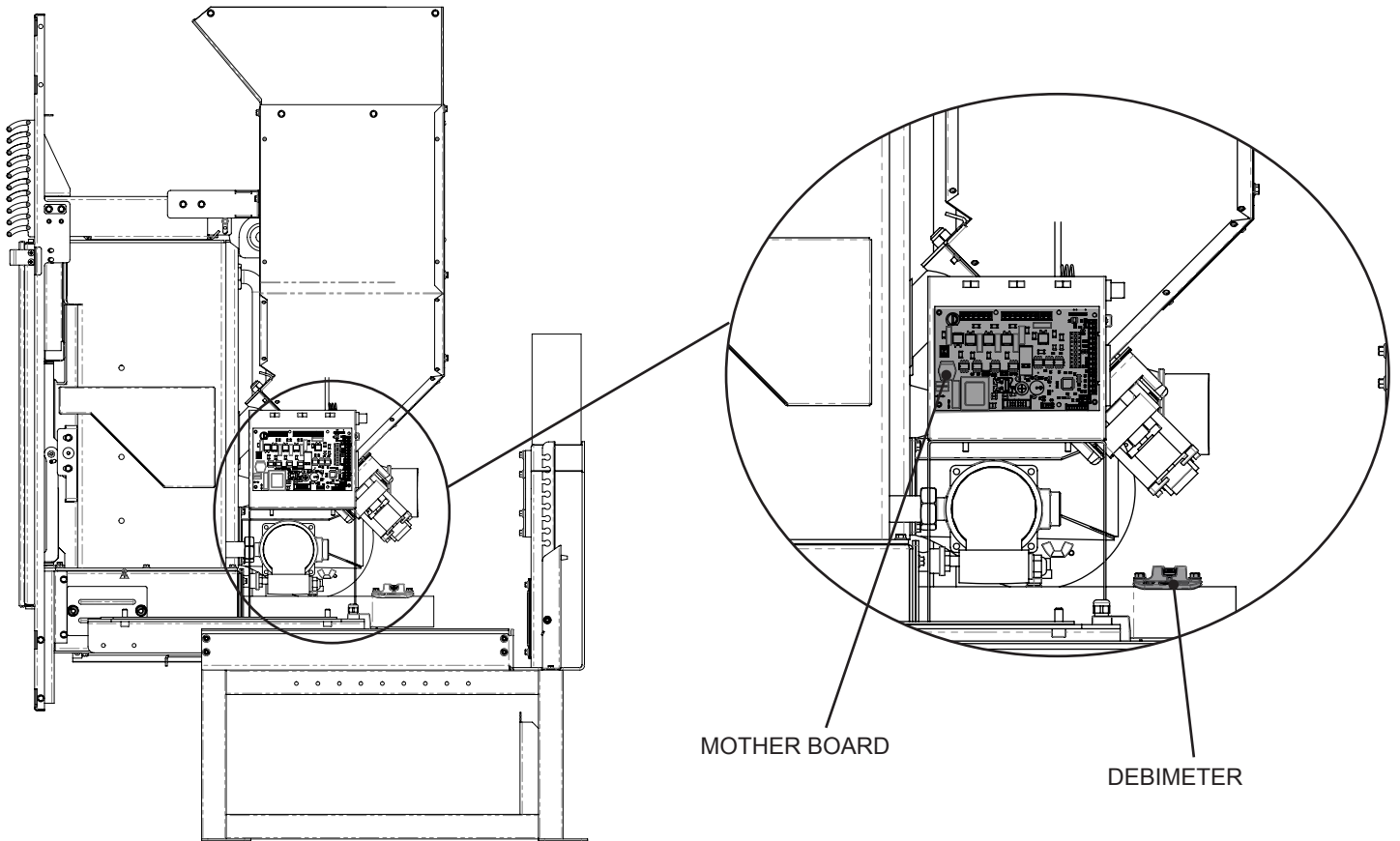
The cleaning of the tube bundle is an operation to be carried out daily (WHEN THE STOVE IS COLD) moving 4-5 times TURBOLATORS mounted on the stove (as shown below in the drawing). In order to access to the turbolators, you need to pull the stove out from the fireplace. In case the optional pellet drawer has been mounted on the stove, in order to access to the turbolators you only need to pull the drawer out.



PARTS / FREQUENCY	Everyday	every 2-3 days	every 30 days	every 60-90 days	every season
Fire pot	●				
Ash-drawer		●			
Glass		●			
Suction duct				●	
Door gasket					●
Tube bundle turbolators		●			
Exhaust pipe					●
Combustion chamber		●			
Suction of pellet tank			●		

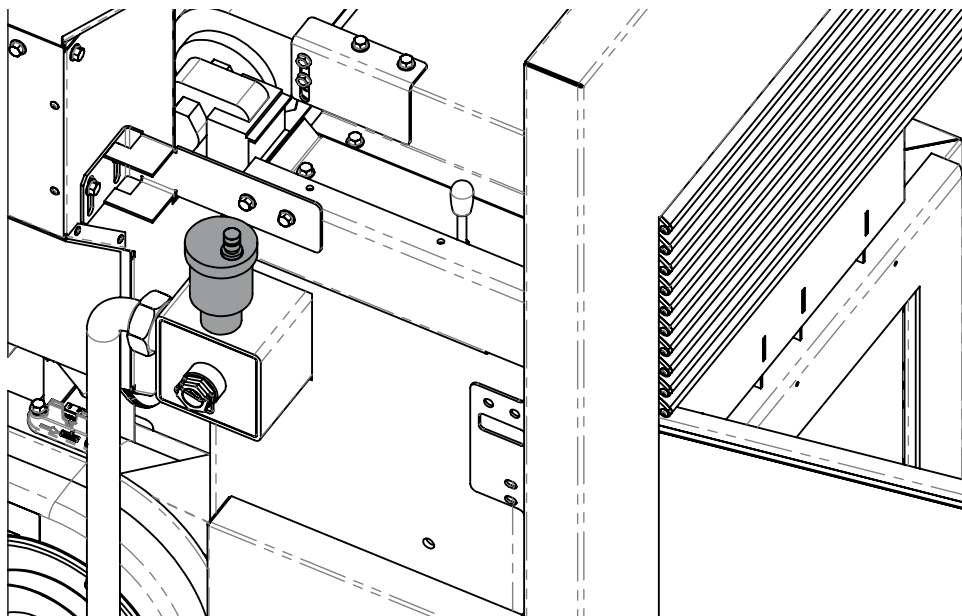
Access to the debimeter and the electric mother board:

In order to access to the debimeter and the mother board, pull the stove completely out along the entire lenght of the telescopic guides.



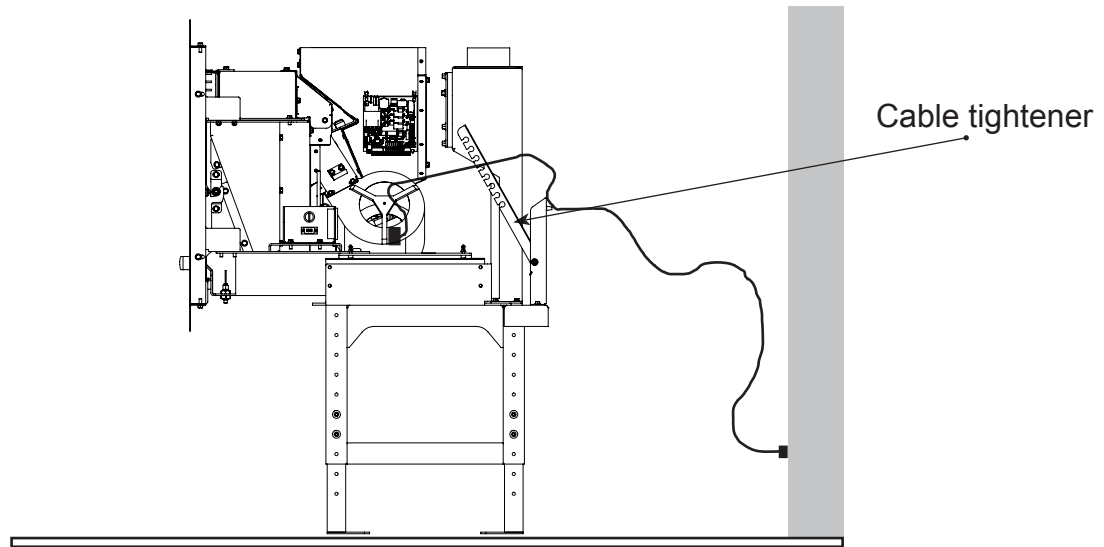
Position of automatic air valve

This hydraulic component is placed on the LEFT side of the stove. In order to access the automatic air valve, pull the stove out.



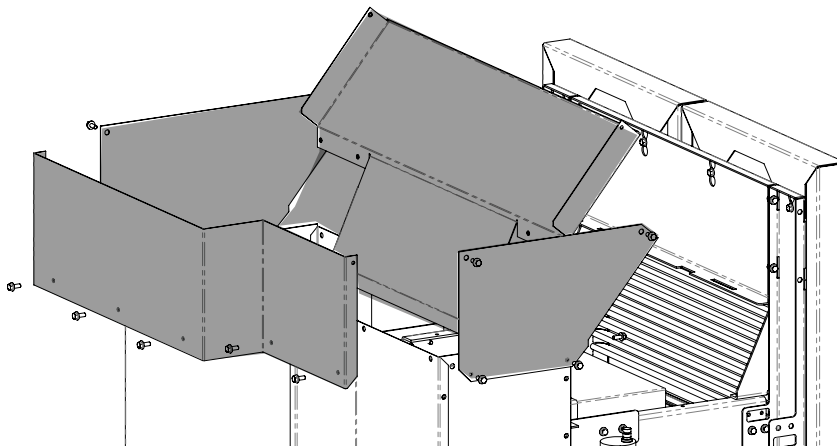
The cable tightener (optional)

Placed on the rear part of the support, the cable tightener is designed to avoid that, on extracting the stove, the power supply cable falls between the base of the stove and the support surface of the stove, resulting in damage and disconnection.

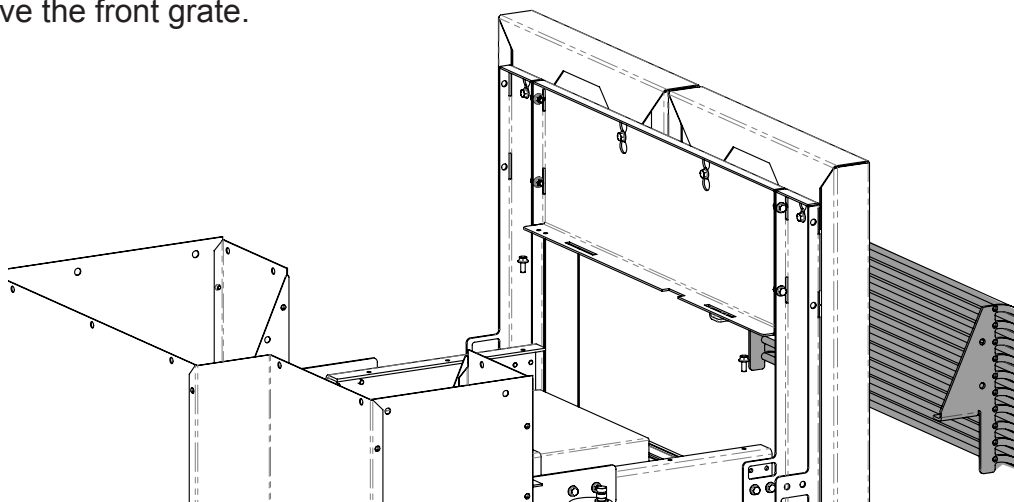


Assembly of front pellet loading drawer (optional)

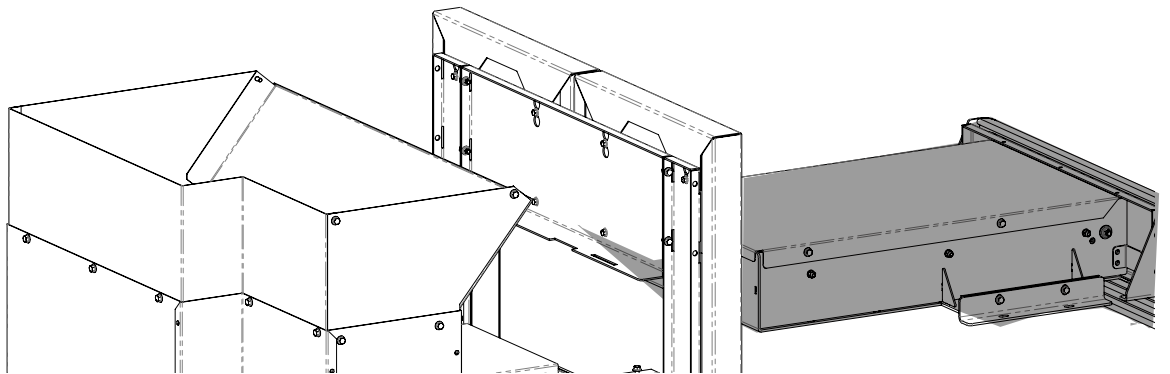
Remove the four upper components of the hopper.



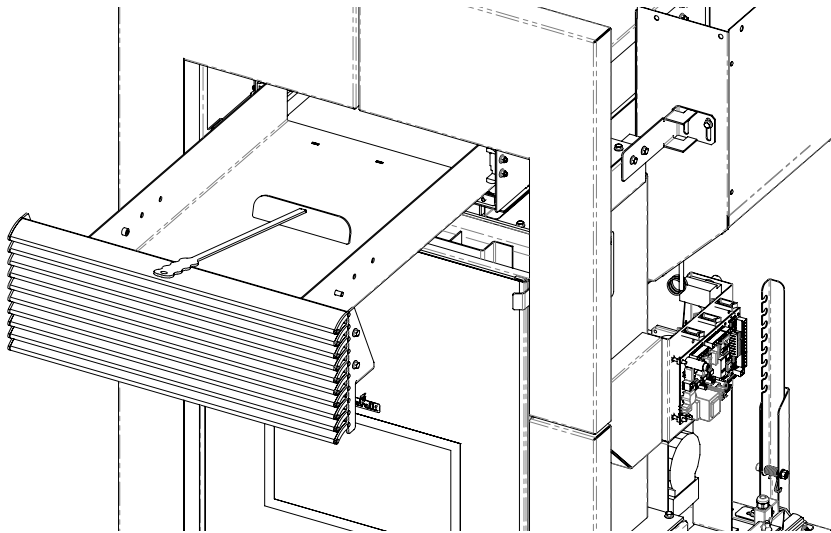
Remove the front grate.



Fix the drawer grate and pull the drawer in the dedicated space (as shown below in the drawing).

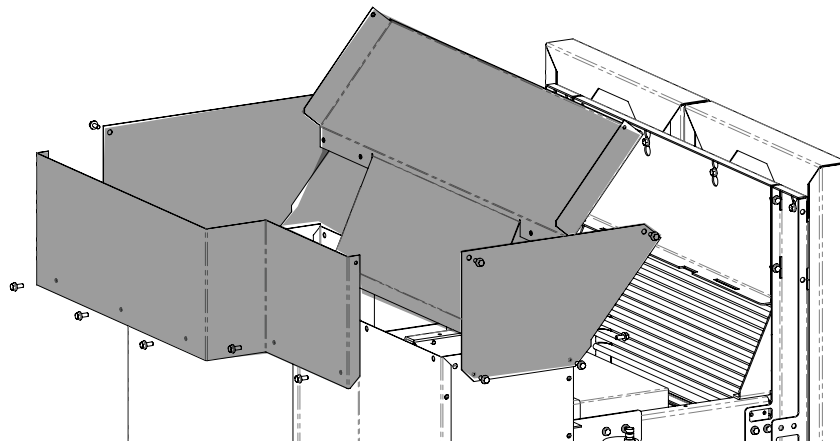


In order to load the hopper of the frontal drawer, open the drawer pulling the frontal grate. Then load the pellet and push the pellet inside the hopper using the little shovel supplied together.

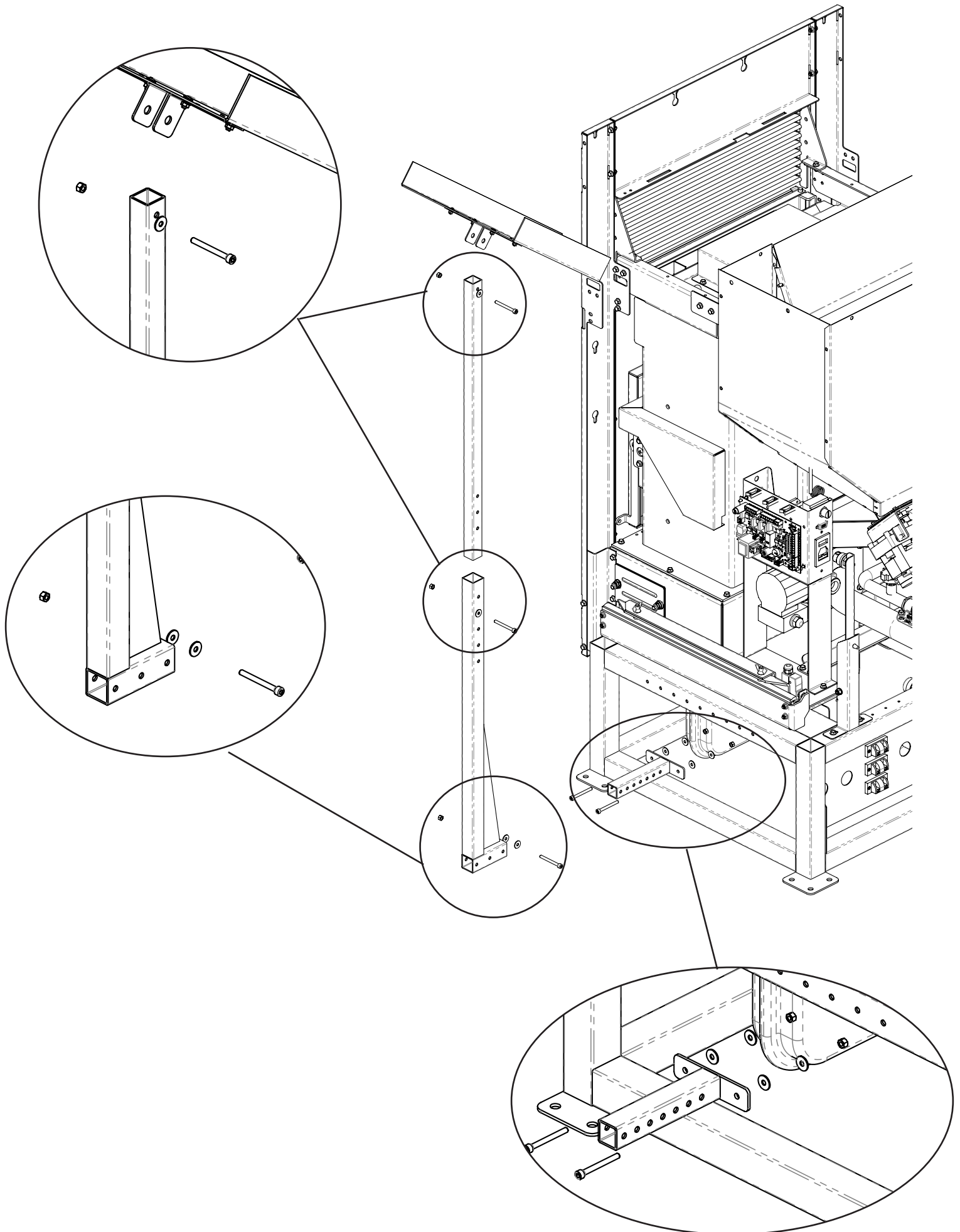


Assembly of lateral pellet loading kit (optional)

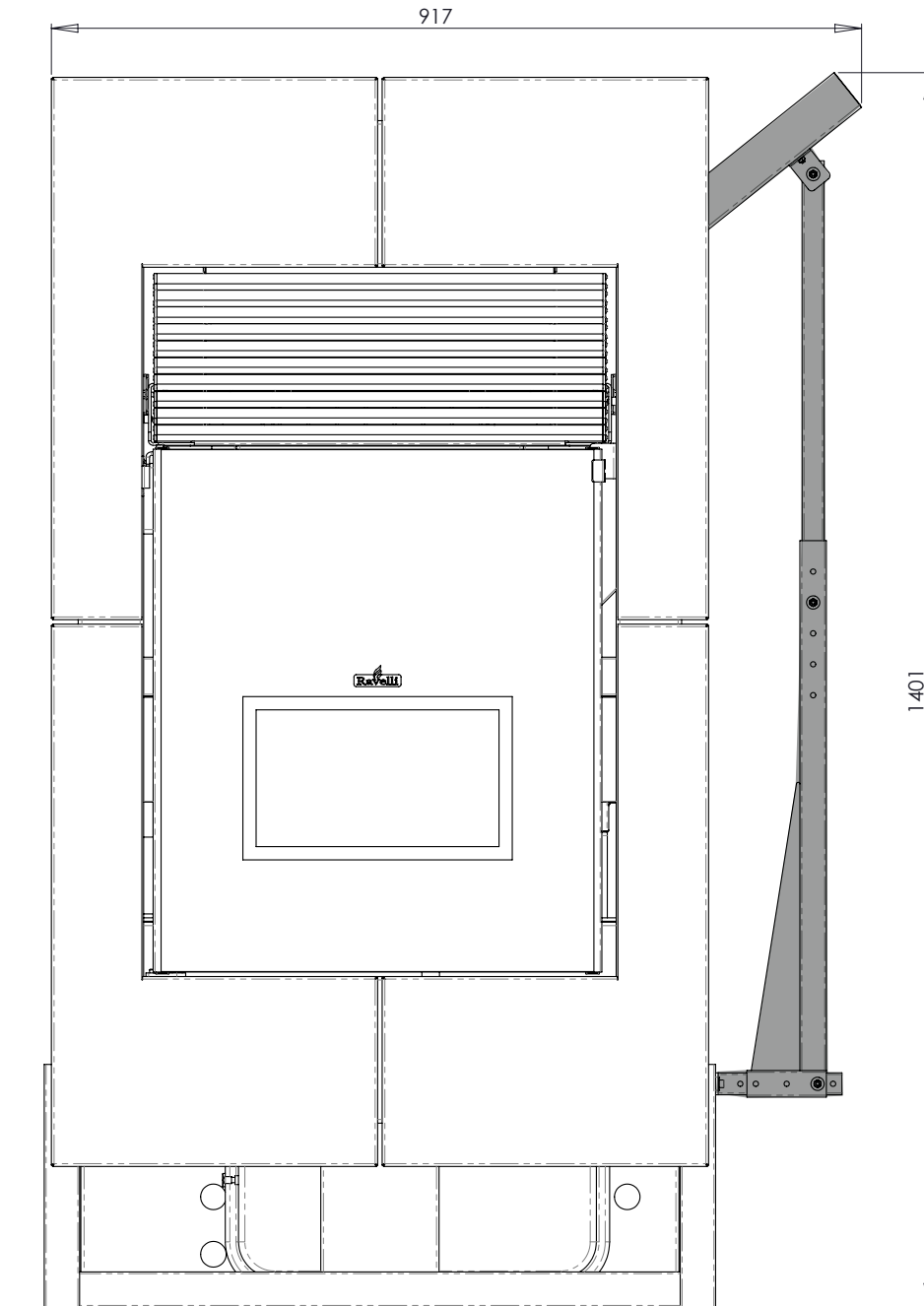
Remove the four upper components of the hopper.



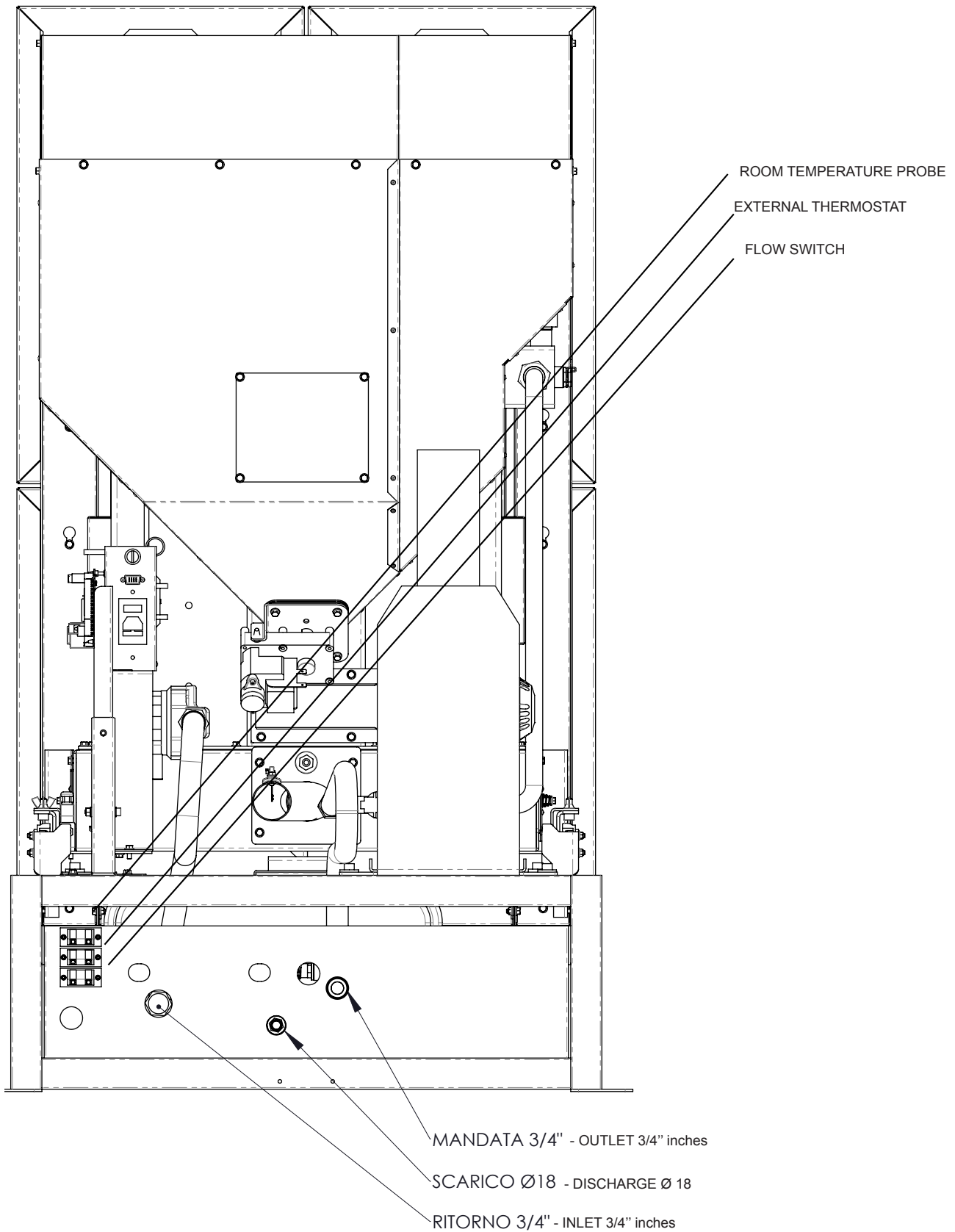
Mount the pellet loading kit and its support as shown below in the drawing:



Frontal view of the stove after having mounted the lateral pellet loading kit. Maximum dimensions are indicated below.



Connections to the hydraulic system:



Ravelli[®]

il fuoco intelligente

Ravelli srl

Via Kupfer, 31 - 25036 Palazzolo sull'Oglio / BS - ITALY

Tel. +39.030.7402939

Fax. +39.030.7301758

Internet : www.ravelligroup.it

E-mail : info@ravelligroup.it

Ravelli srl is not liable for any errors in this booklet and is free to make changes to the features of its products without prior warning.